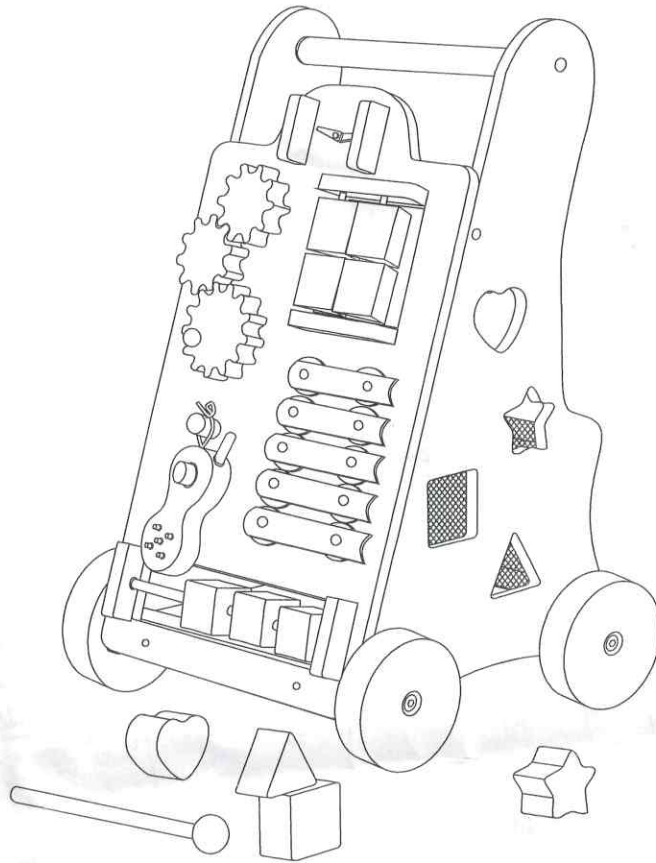


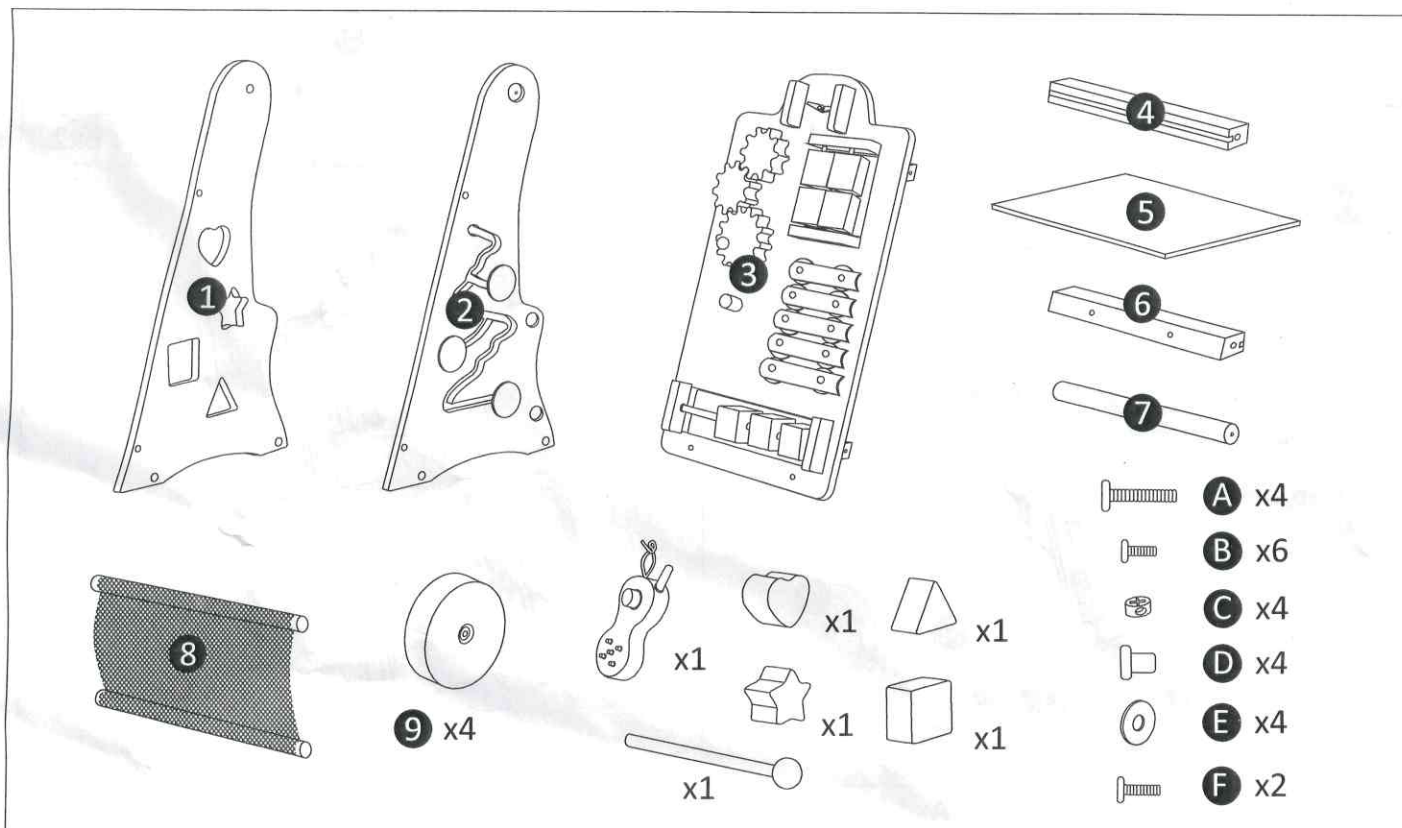
Baby Walker

Assembly instructions

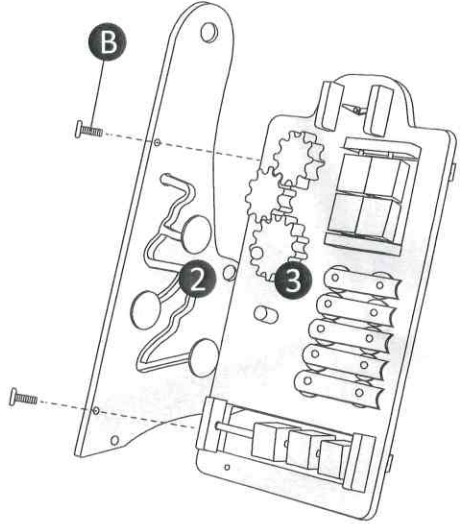
Please retain this information for future reference



Adult assembly by hand screwdriver required.

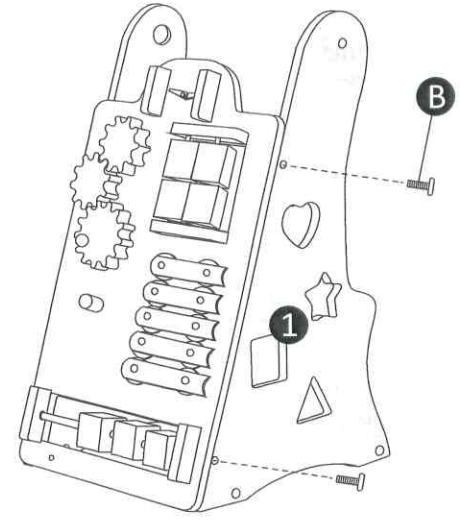


1



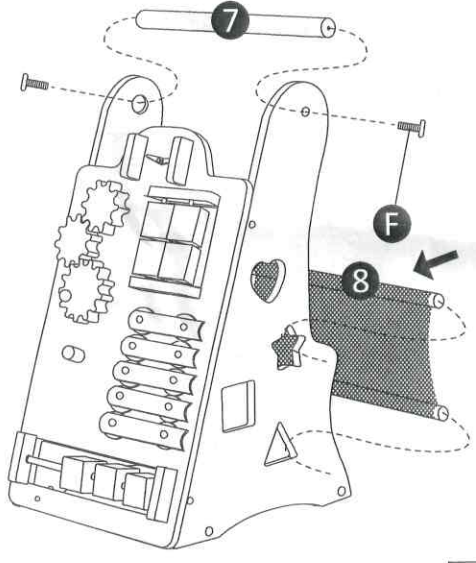
Bx2

2



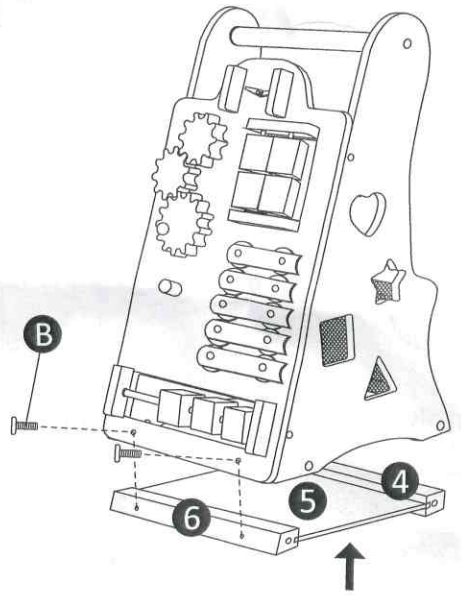
Bx2

3



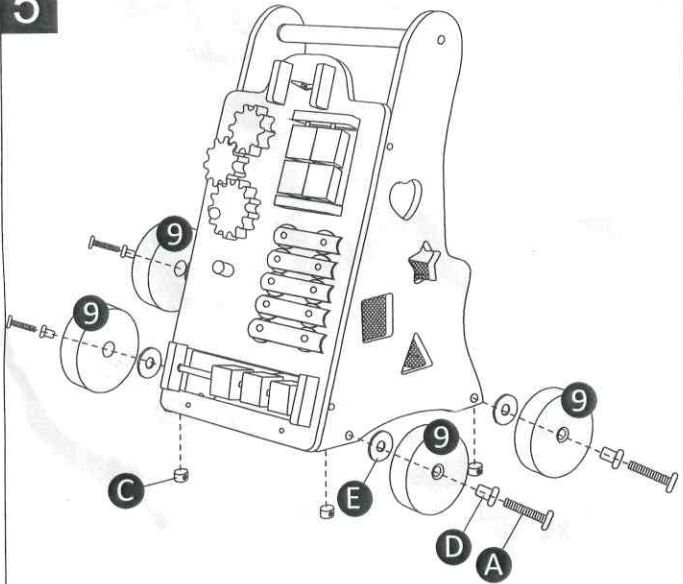
Fx2

4



Bx2

5



Ax4 Cx4 Dx4 Ex4

6

